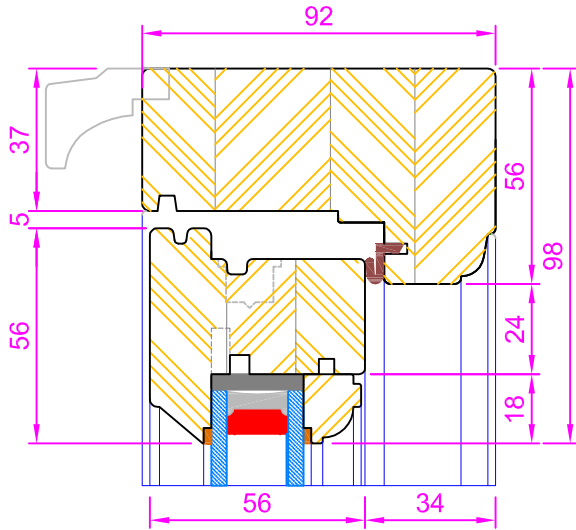
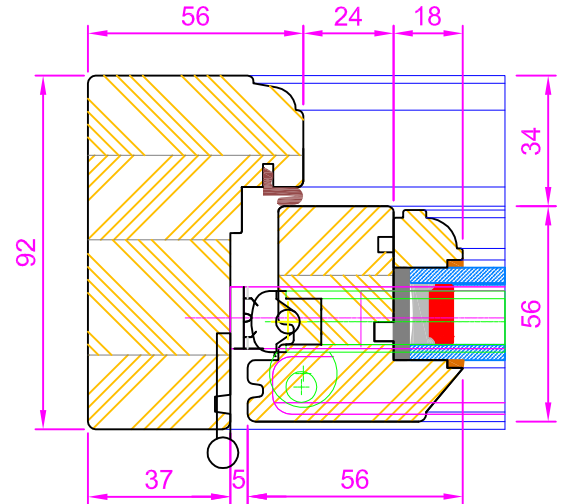


Section A-A

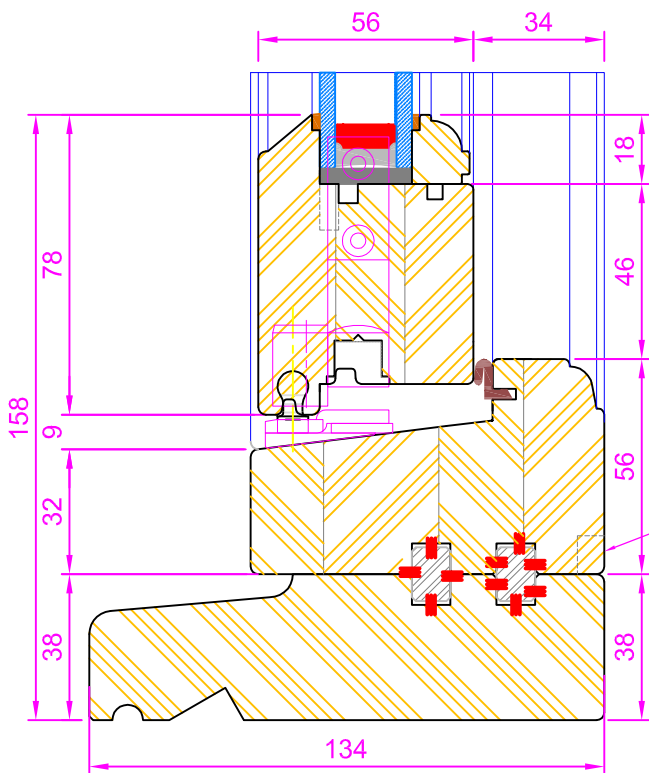
HEAD DRIP -
Included only if vents are required



Section B-B

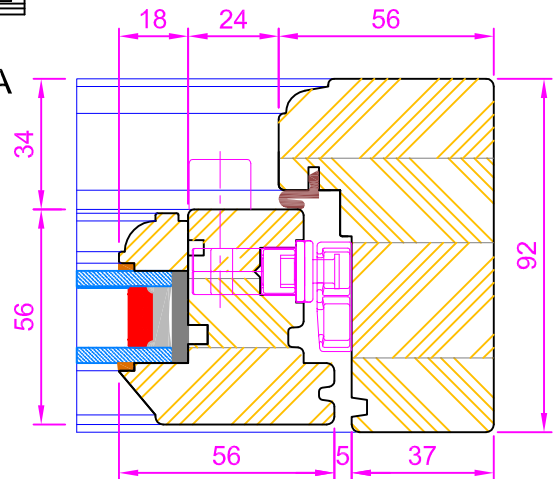


Section A-A



OPTIONAL
CILL BOARD
GROOVE

Section B-B



CILL EXTENSION - available options:

1. One Piece Sub-cill - 112mm, 134mm, 149mm
2. Subcill + Extension - 25mm (112mm o/a) / 47mm (134mm o/a) / 62mm (149mm o/a) / 87mm (174mm o/a) / 100mm (187mm o/a) / 114mm (201mm o/a) / 125mm (212mm) / 140mm (227mm o/a)
3. No Sub-Cill - 25mm (117mm o/a) / 47mm (139mm o/a) / 62mm (154mm o/a) / 87mm (179mm o/a) / 100mm (192mm o/a) / 114mm (206mm o/a) / 125mm (217mm) / 140mm (232mm o/a)



ALL DIMENSIONS IN mm ORIGINAL PLOT A2 SIZE (420x594)

SCALE

1 : 1

GENERAL TOLERANCE
+ 2

MATERIAL

Timber

TITLE

TRADITIONAL FLUSH CASEMENT
Standard Frame & Sash Sections

S. Felczak	J. Stebelski	13.11.2011	
E.Pech		06.08.2007	0
DRAWN BY	CHECKED	DATE	ISSUE
DWG NO.	1825		SHT 1