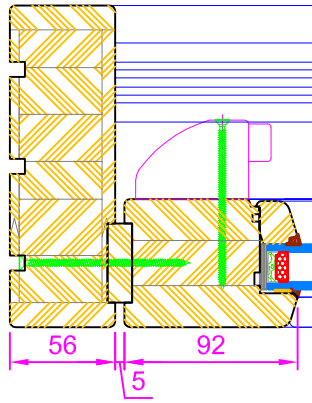
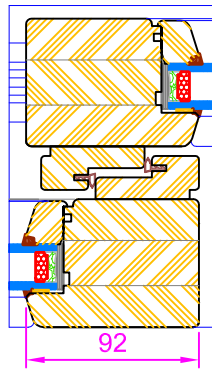


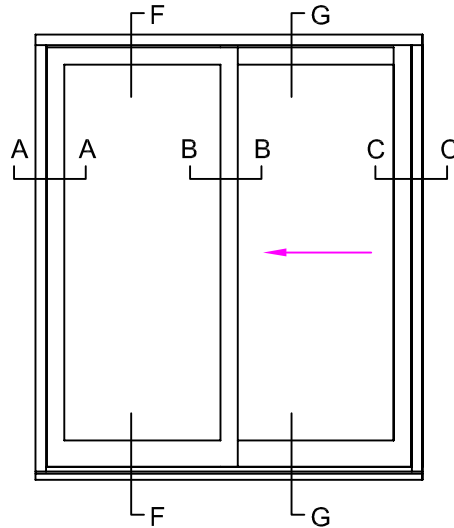
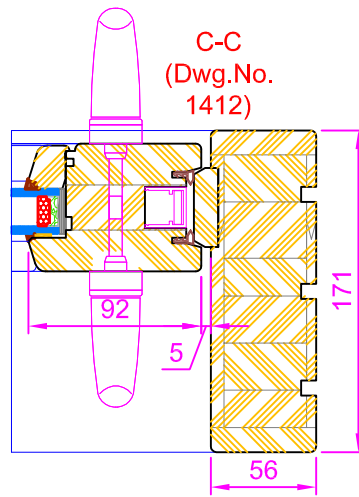
A-A (Dwg.No. 1405)



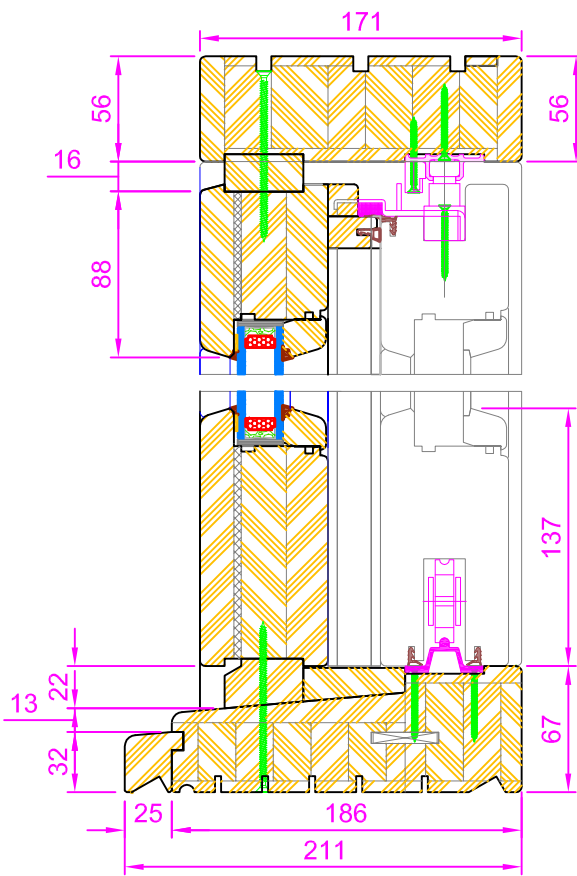
B-B (Dwg.No. 1411)



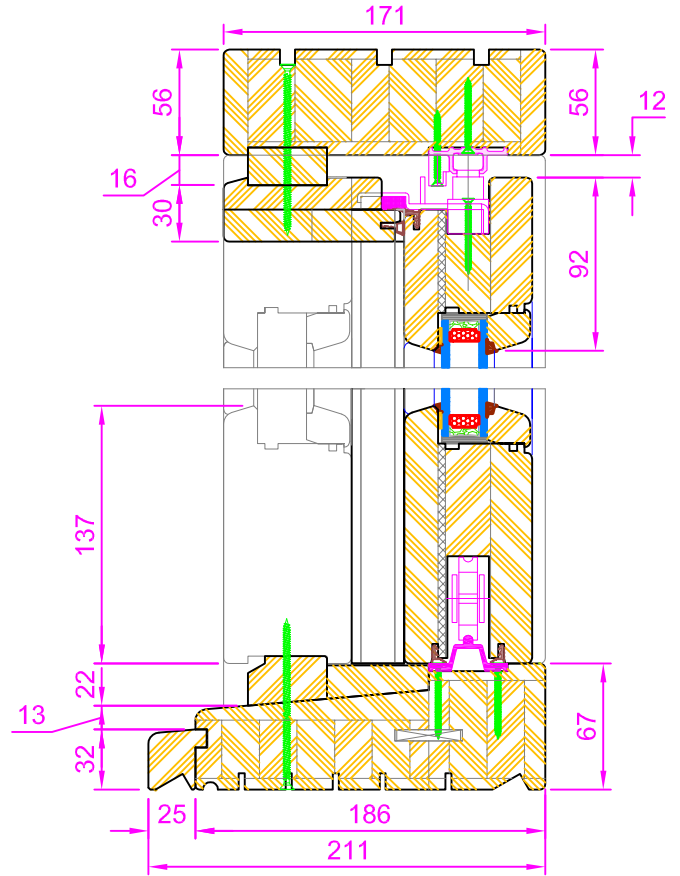
C-C (Dwg.No. 1412)



F-F (Dwg.No. 1403 & 1410)



G-G (Dwg.No. 1404 & 1408)



CILL EXTENSION OPTIONS : Please see drawings 1401 / 1408-1410 & 1420-1422.



ALL DIMENSIONS IN mm		ORIGINAL PLOT A0 SIZE (840x1188)			
SCALE	GENERAL TOLERANCE	MATERIAL			
1 : 1	+ 2	Timber		S. Felczak	J. Stebelski
TITLE			18.01.2011		
			06.08.2007		0
HS SLIDING DOOR 1 Door Leaf / 1 Fixed Leaf Vertical & Horizontal Sections			DRAWN BY	CHECKED	DATE
			DWG NO. 1424		ISSUE
					1